

SAFETY INFORMATION

Released Date: 2024-07-24

Please read and understand this entire manual before attempting to assemble, install or operate the product.

WARNING

- RISK OF ELECTRIC SHOCK - Before beginning installation, turn off electricity at the circuit breaker box or the main fuse box.
- RISK OF FIRE - Use bulbs specified by the markings and/or labels on the fixture.

CAUTION

- For your safety, read instructions completely before beginning installation.
- If in doubt about electrical installation, consult a licensed electrician.
- Turn off electricity to fixture before replacing the bulb(s).

TOOLS REQUIRED

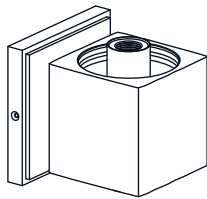


CARE AND MAINTENANCE

- Wipe clean using soft, dry cloth or static duster. Always avoid using harsh chemicals and abrasives to clean fixture as they may damage the finish.

If you need further assistance call Quozel Customer Care at 1-800-645-3184 (9:00am - 5:00pm EST), or visit us on-line at www.quezel.com.

PACKAGE CONTENTS

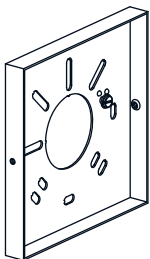


A Fixture Body
x 1



B Shade
x 2

MOUNTING HARDWARE



AA Inner Backplate
x 1



BB Mounting Screw
x 2



CC Wire Connector
x 3

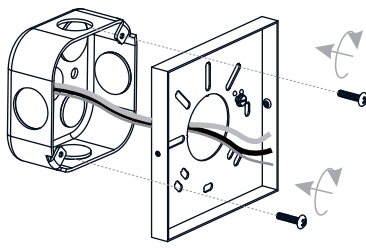


DD Outlet Box Screw
x 2

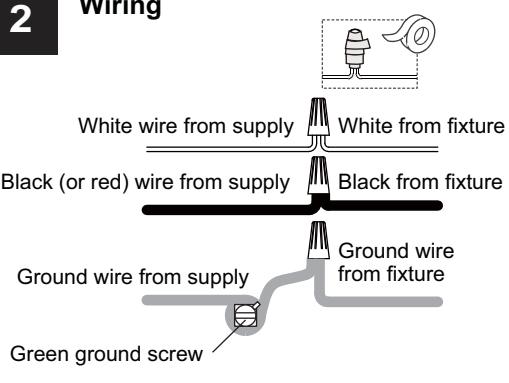
INSTALLATION

Option 1

1 Install Inner Backplate

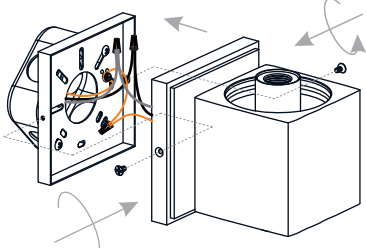


2 Wiring



White wire from supply White from fixture
Black (or red) wire from supply Black from fixture
Ground wire from supply Ground wire from fixture
Green ground screw



3 Install Fixture Body

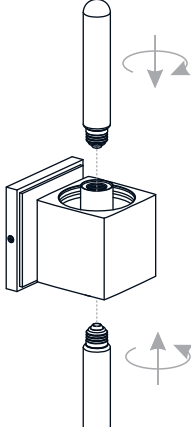


4 Install Bulbs


Install two correct bulbs referring to fixture markings and/or labels for maximum wattage.

Recommended Bulb Type (not included):

 BULB BASE TYPE Medium (E26)	 100W MAX BULB TYPE TYPE A
---	---



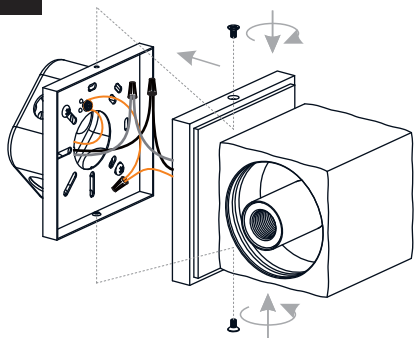
5 Install Shades



Option 2

Install Inner Backplate and Wiring same as option 1



3 Install Fixture Body

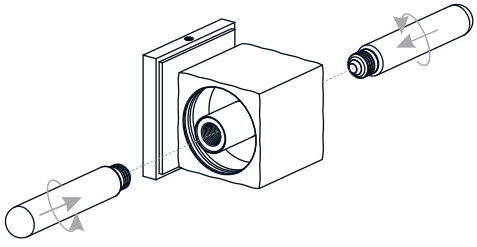


4 Install Bulbs

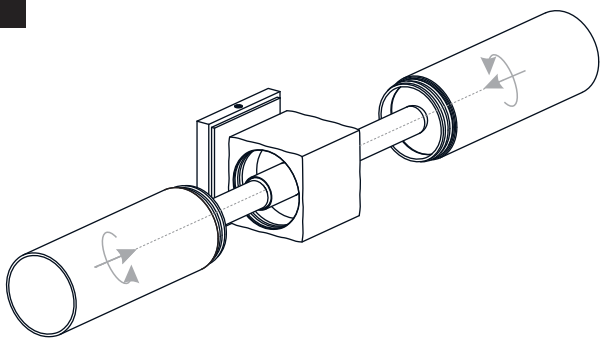
Install two correct bulbs referring to fixture markings and/or labels for maximum wattage.

Recommended Bulb Type (not included):

 BULB BASE TYPE Medium (E26)	 100W MAX BULB TYPE TYPE A
---	---



5 Install Shades



**Your installation is now complete!
Restore electricity and save this sheet
for future reference.**